

LUXORliving E1 S RF

Item no.: 4800642

theben

Home and Building control
LUXORliving

Description

- 1-way flush-mounted actuator for electric heating LUXORliving
- Easy installation due to the compact housing
- For direct connection of electric heating with high switching capacity
- Integrated temperature controller can also be configured as an additional heater
- Additional stage function for simple control of a second heat generator
- 2 binary inputs for floating contacts such as buttons, switches, temperature sensor (I2)
- Integrated temperature monitoring for increased operating safety, e.g. in the event of overload
- The binary inputs are assigned to the dimming output as standard (function test before programming)
- Download of the installation software LUXORplug at <https://luxorliving.de/luxorplug>

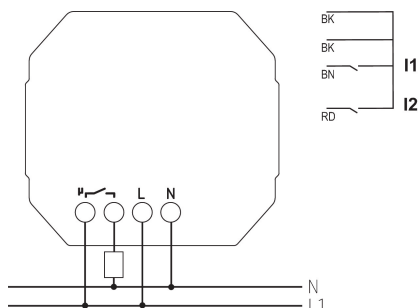


Technical data

LUXORliving E1 S RF	
Operating voltage KNX	<0.4 mA
Operating voltage	230 – 240 V AC 50 – 60 Hz
Frequency	50 – 60 Hz
Stand-by consumption	~0.45 W
Installation type	Flush-mounted

LUXORliving E1 S RF	
Number of channels	1
Type of contact	10 A
Ambient temperature	-5°C ... 45°C
Protection class	II

Connection example



Subject to technical changes and misprints

additional information at: www.theben.de/product/4800642

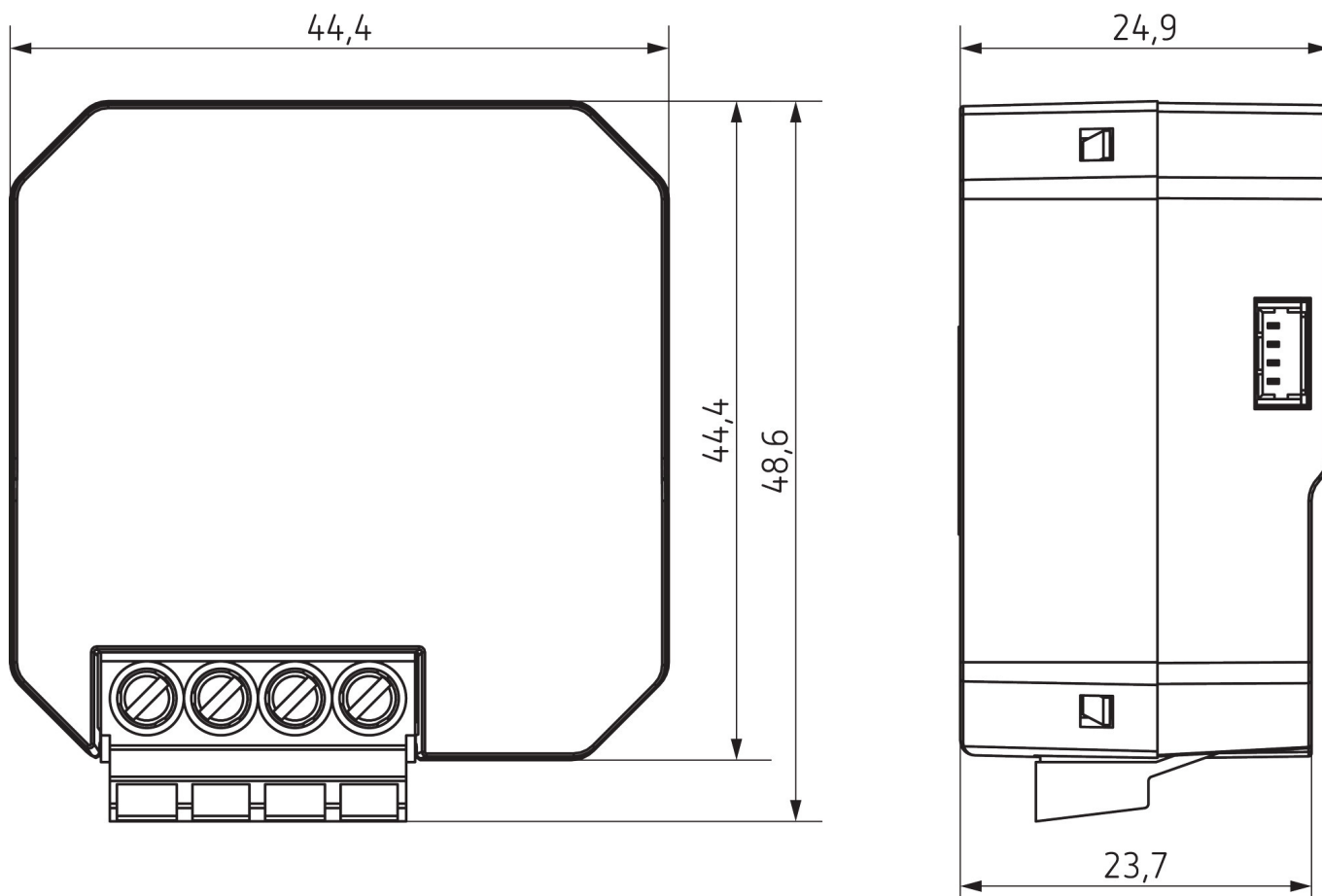
The load data are determined with exemplary selected illuminants and are therefore typical data due to the large number of available products.

LUXORliving E1 S RF

Item no.: 4800642

theben

Scale drawings



Accessories

Temperature sensor
Item no.: 9070321



Temperature sensor RAMSES IP
65
Item no.: 9070459



Flush-mounted temperature
sensor
Item no.: 9070496



Subject to technical changes and misprints

additional information at: www.theben.de/product/4800642

The load data are determined with exemplary selected illuminants and are therefore typical data due to the large number of available products.