

LUXORliving M140

Item no.: 4800490

theben

Home and Building control
LUXORliving

Description

- Self contained outdoor weather station LUXORliving
- For measuring wind, rain, brightness and temperature
- Rain sensor with integrated heating
- For fully automatic blinds and sun protection control
- Measurement and evaluation directly on device
- Sun protection for up to 4 facades via 3 integrated brightness sensors
- Display of weather data e.g. with LUXORliving-App „LUXORplay“
- Download of the installation software LUXORplug at <https://luxorliving.de/luxorplug>

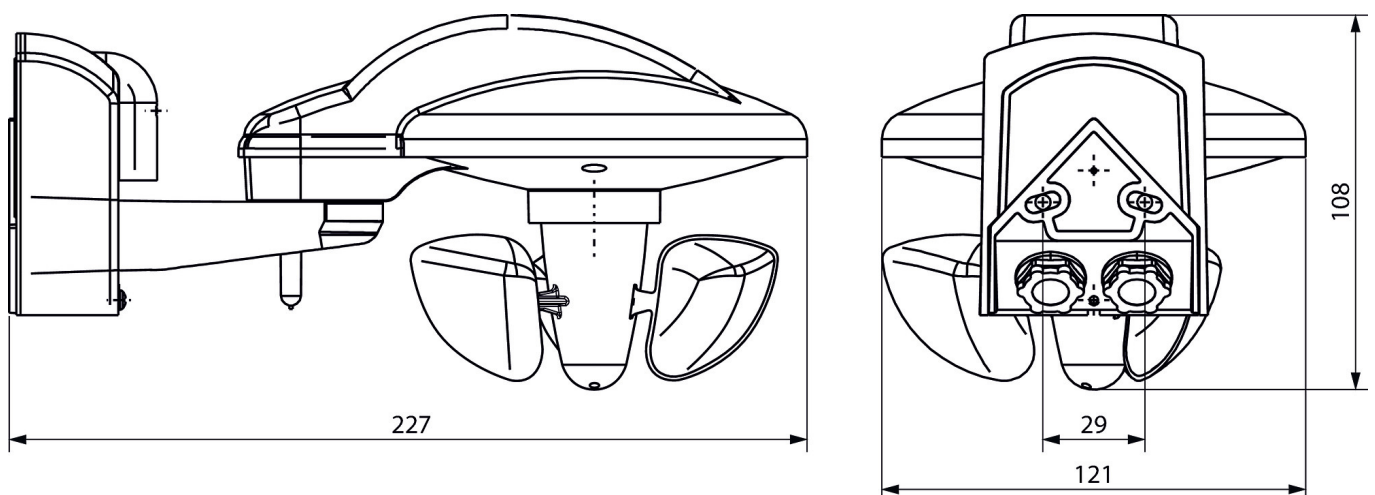


Technical data

LUXORliving M140	
Operating voltage	110 – 230 V AC
Frequency	50 – 60 Hz
Operating voltage KNX	Bus voltage, ≤10 mA
Stand-by consumption	<0.5 W
Measuring range brightness	100000 lx
Setting range temperature	-30°C ... 60°C

LUXORliving M140	
Measuring range wind speed	2 – 30 m/s
Ambient temperature	-20°C ... 55°C
Type of protection	IP 44
Protection class	II

Scale drawings



Subject to technical changes and misprints

additional information at: www.theben.de/product/4800490

The load data are determined with exemplary selected illuminants and are therefore typical data due to the large number of available products.

LUXORliving M140

Item no.: 4800490

theben

Accessories

Mast mounting S

Item no.: 9070928



Subject to technical changes and misprints

additional information at: www.theben.de/product/4800490

The load data are determined with exemplary selected illuminants and are therefore typical data due to the large number of available products.

31/08/2023

Page 2 of 2